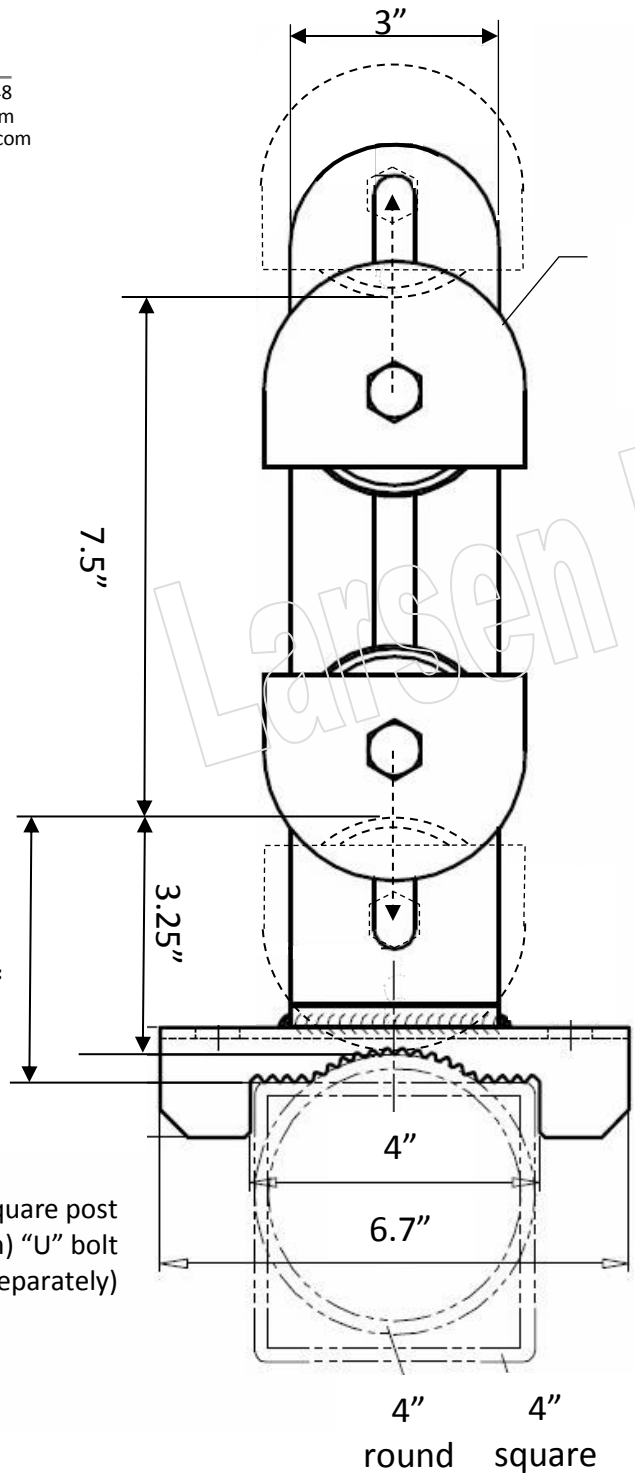




LARSEN INNOVATIONS LLC

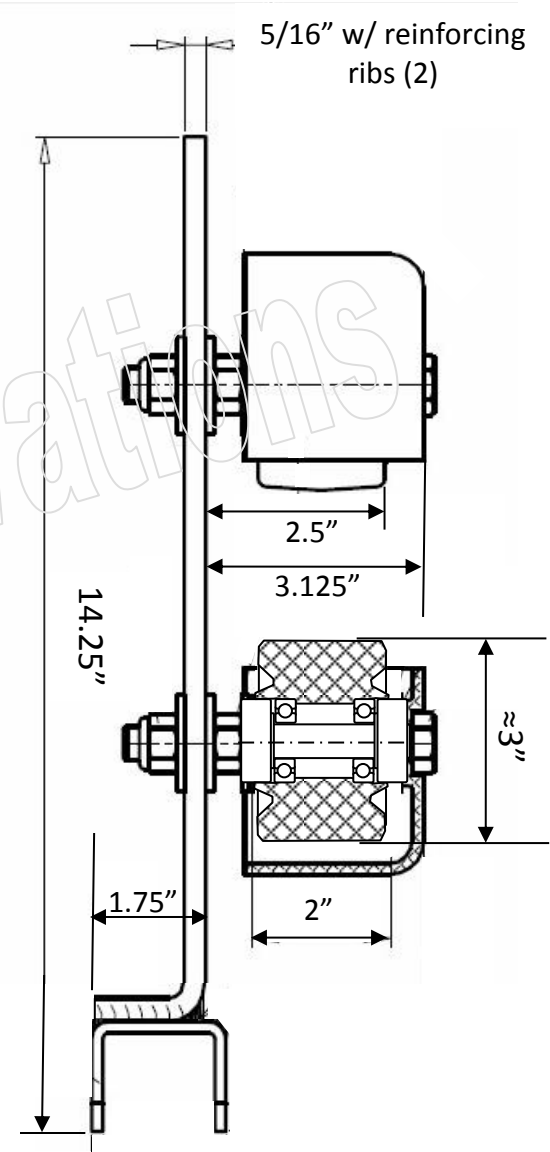
Huntington Beach, CA 92648
www.LarsenInnovations.com
info@LarsenInnovations.com



Close Clearance Design.
The first roller face can be positioned as close as 3.25" to the post accommodating a wide range of installation variables.

Mounts to round or square post with a single 1/2" (12mm) "U" bolt (sold separately)

Covers are included as required by ASTM 2200



Accura™ 30941 Adjustable Bottom Guide Roller - 4" Post
3" ø x 2" rollers-sealed bearings (Gates/posts by others - no scale)

Project:

Submitted by: