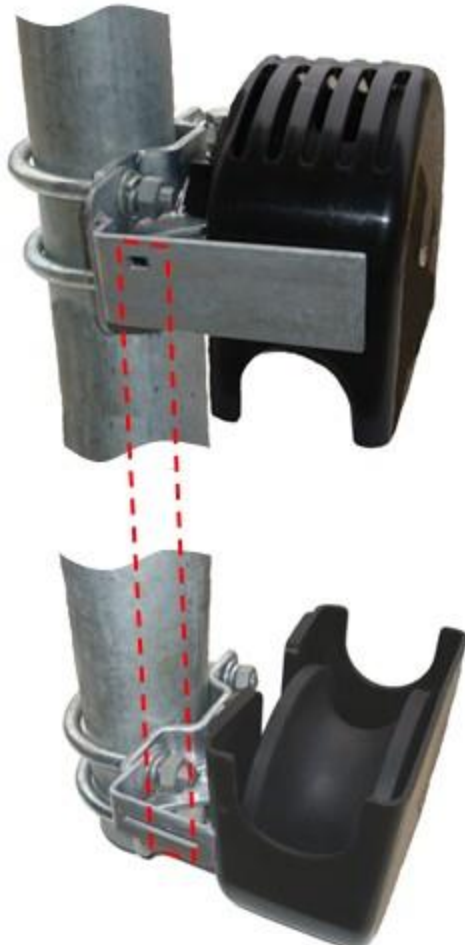


**Accura Precision Hardware**  
**Product Bulletin** April 30, 2013

Our new protective panel bracket PN 30848 is now included along with two of our new heavy duty gate stops in each set of Accura™ Precision nylon cantilever gate rollers.

1. The new gate stops now include a gusset to strengthen them even further. They are also punched to accommodate a 5/16" carriage bolt.
2. The included protective panel bracket installed on the bottom roller at the opening makes for easy mounting of the protective panel required by ASTM 2200 for automated gates.

Of course all of our nylon rollers come with ASTM required covers pre-installed. This combination of features makes Accura the most efficient premium performance hardware value in the industry.

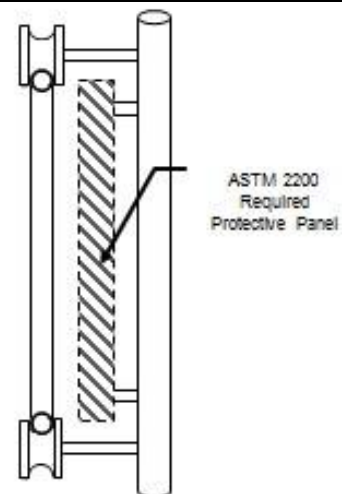


ASTM 2200 reads in part...

*" A gap, measured in the horizontal plane parallel to the roadway, between a fixed stationary object nearest the roadway (such as a gate support post) and the gate frame when the gate is in either the fully open position or the fully closed position, shall not exceed 2 1/4 in. (57mm)"*

©ASTM

(see illustration below, representative of ASTM 2200 FIG 1.)





## Accura Precision Hardware Product Bulletin continued

Our new protective panel bracket PN 30848 can also be ordered separately for use with our truck brackets or with any of our bottom guide rollers for internal style gates.

