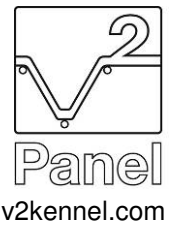


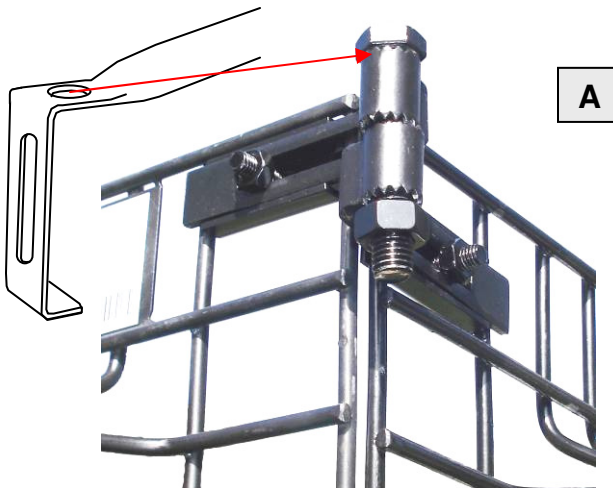
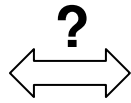
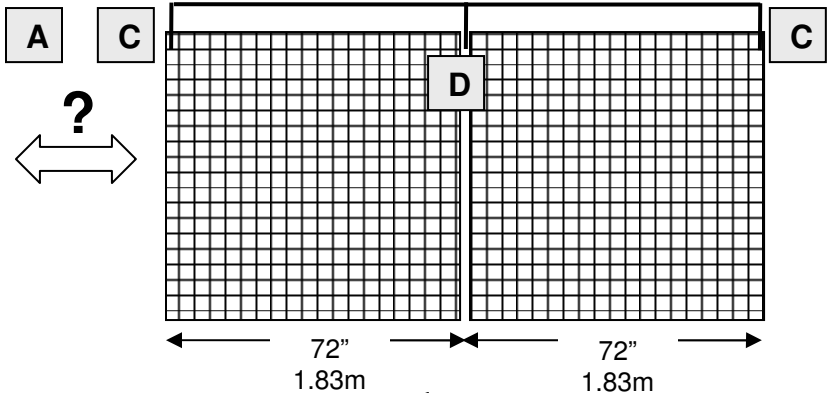
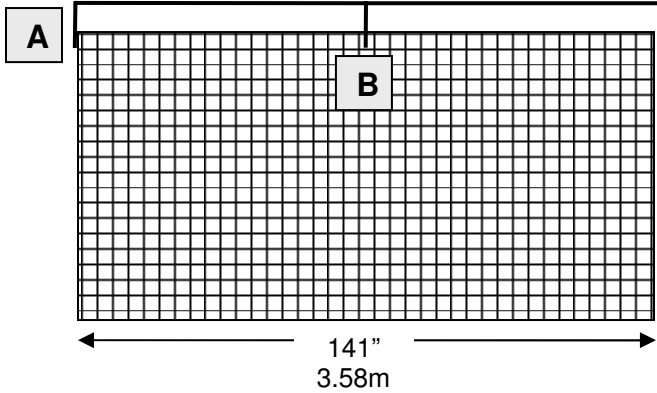
V-Squared™ Kennel  
 Roof truss kit instructions  
 6' x 12' universal  
 2.83m x 5.67m  
 Part Number 10222



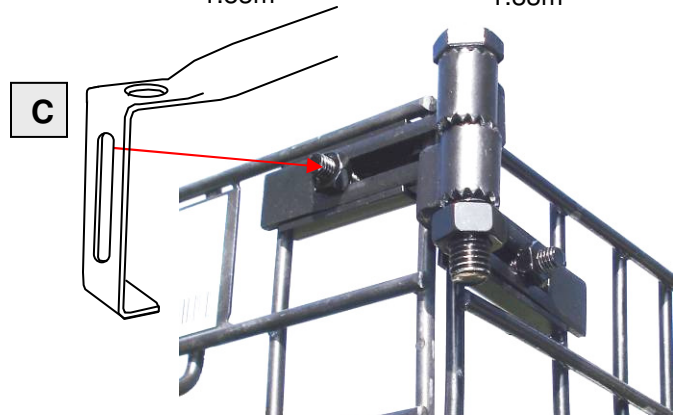
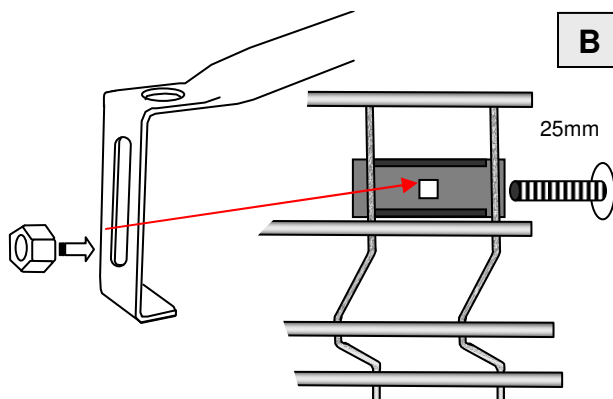
- Included:  
 3 roof trusses  
 2 ridge line braces  
 2 end clamps with 30mm bolts & nuts  
 1 center clamp with 30mm bolts & nuts  
 6 wire clamp brackets with 25mm bolts & nuts (may not be needed).



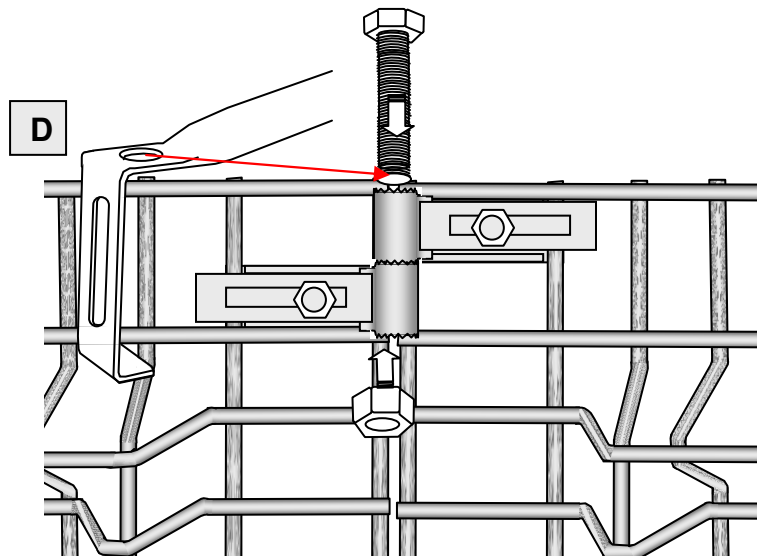
Adapts for use with 141" side panel kennels or for a kennel using two 72" panels to form the sides.



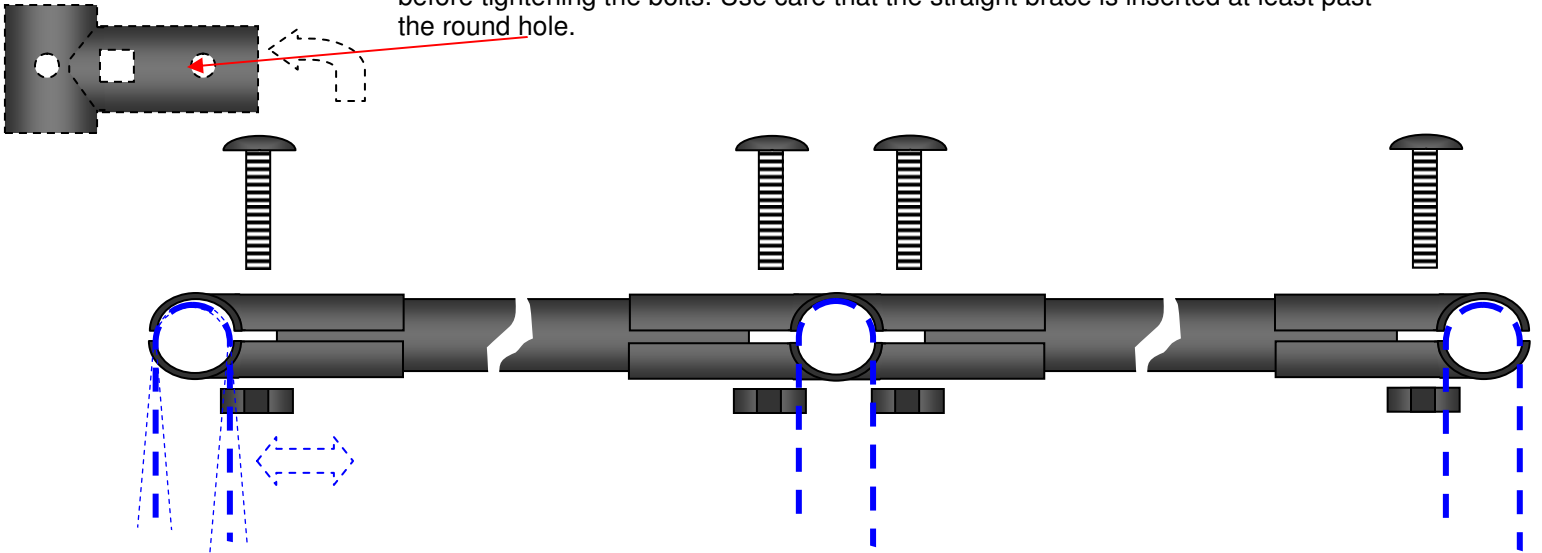
If using 141" long side panels, mount the end trusses to the vertical bolt (A) and mount the center truss to the center of the side panels as shown in (B)



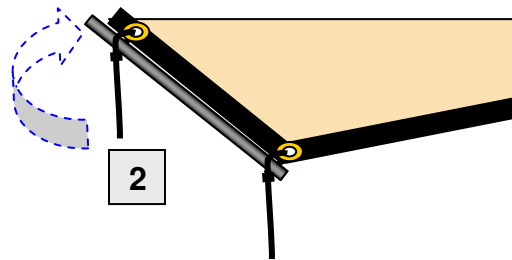
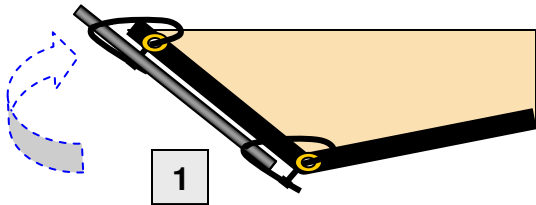
If you are using 2 - 72" long panels to form the sides mount the end trusses to the horizontal bolt (C) and mount the center truss to vertical bolt (D)



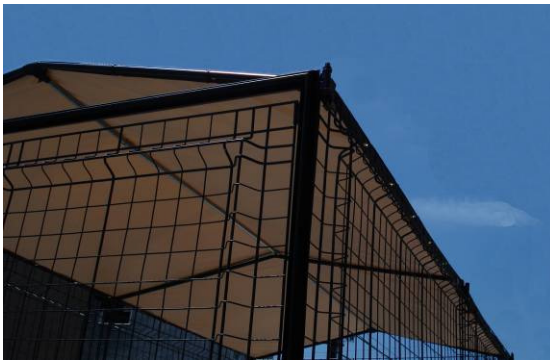
Install the straight ridge line braces using the clamps provided. Adjust the distance between the trusses so they are vertical by moving the brace in or out of the clamps before tightening the bolts. Use care that the straight brace is inserted at least past the round hole.



PN 45000 Vinyl roof tarp with ties.  
141" x 76.5"  
3.581m x 1.943m  
(sold separately)



Fasten the vinyl roof tarp loosely at each point then tighten the ties to evenly space the tarp on the roof truss assembly.



**Caution:** Kennels with roofs or tarps installed should be **anchored** to prevent them from being overturned in high winds. The roof is **not** designed for heavy snow loads.

**Precaución:** Las perreras con las azoteas o los tarps instalados se deben anclar para evitar que sean volcadas en fuertes vientos. La azotea no se diseña para las cargas pesadas de la nieve.