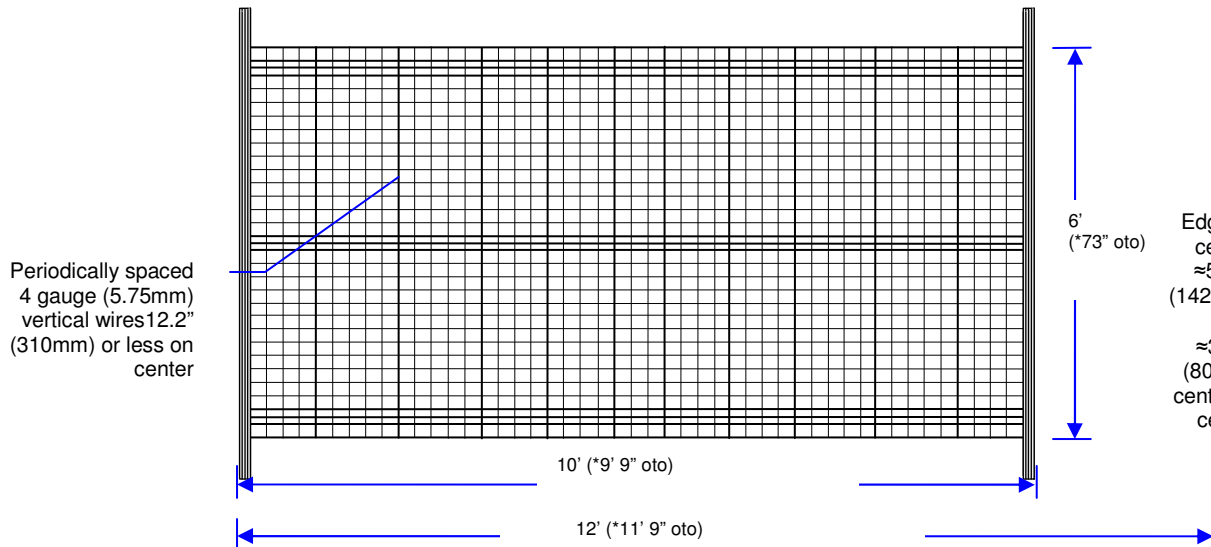
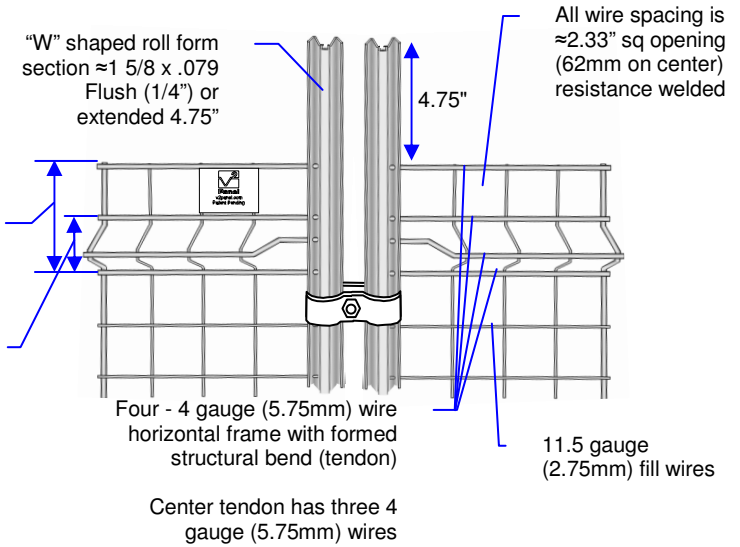


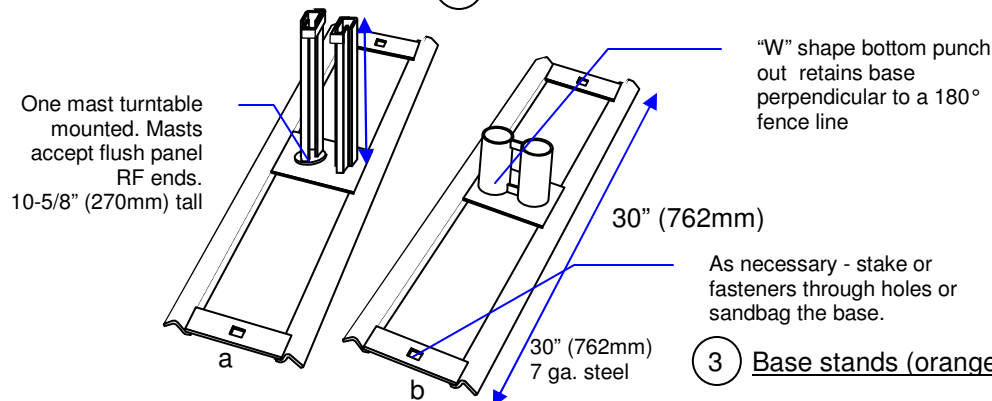
Shown extended 2 ways (top & bottom)



1 Panel Overview



2 Detail



3 Base stands (orange - std)

V-Squared™ Stand System Shop Drawings (no scale) Patent Pending	
Project / Job:	Drawing SS6
Submitted by / Date:	Subject to change without notice Updated October 2009 © Larsen Innovations LLC